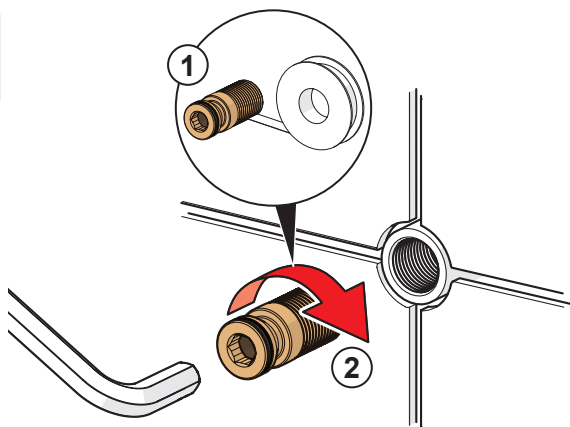
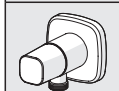
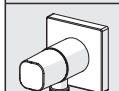
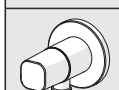

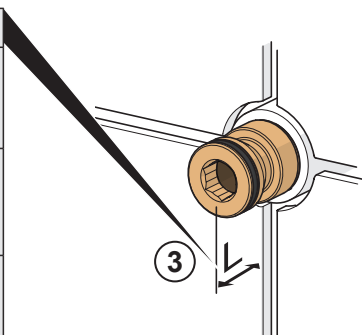


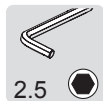
10

②



<input type="checkbox"/> <input type="checkbox"/> <input type="checkbox"/>	L (mm)
	26-29
	26-29
	21-24
	16-19



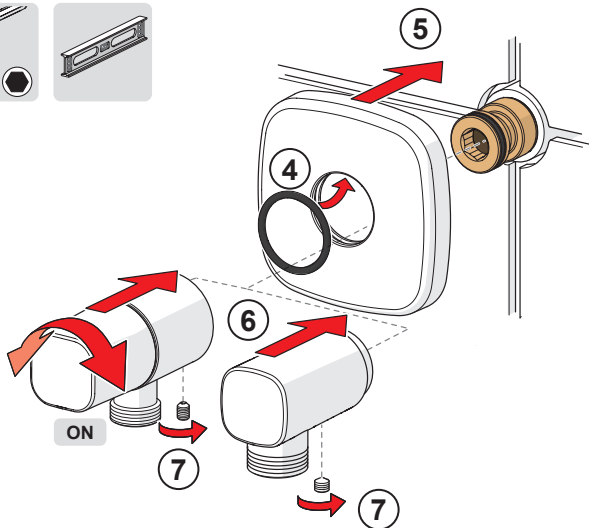


2.5



7

5

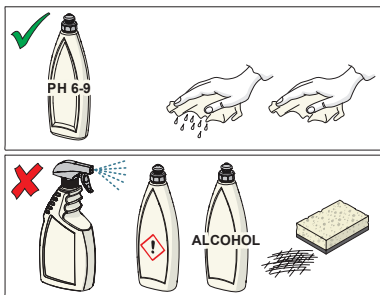


OFF

ON

7

7



HANSA Armaturen GmbH
P. O. BOX 81 02 40
D-70519 Stuttgart
Sigmaringer Strasse 107
D-70567 Stuttgart

Tel.: +49 711 16 14 0
Fax: +49 711 16 14 368
info@hansa.de

www.hansa.com

 **HANSA**

943265D-09-20